



Johnson & Starley

ventilation solutions

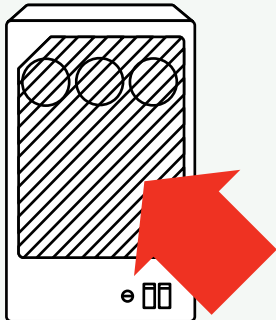


aeroplus

Application

Aeroplus is a single room ventilation unit with Heat Recovery suitable for fitting into kitchens and bathrooms. Extracted moisture laden air is used to heat fresh filtered incoming air, recovering approximately 60% of heat that would otherwise be wasted.

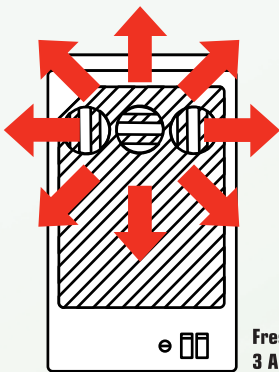
Automatic Control



Automatic Extraction Of Air From Room

Aeroplus incorporates intelligent control technology, and offers the option of manual or automatic control. When set to manual the unit runs continuously. When set to automatic the humidity sensor takes control and automatically switches the unit on and off as the humidity level in the room rises and falls. The fan speed is adjustable in both manual and automatic modes.

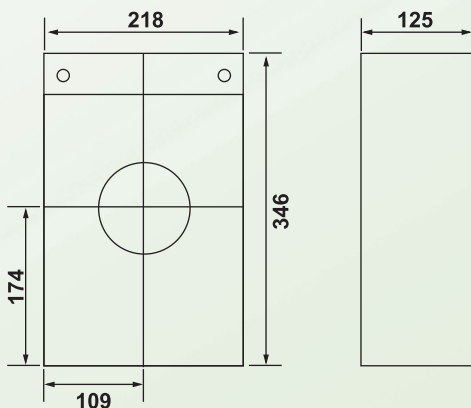
Adjustable Supply Vents



Fresh Air Through 3 Adjustable Vents

Adjustable Supply Vents
Aeroplus has three fully adjustable supply vents. The fresh incoming air can, therefore, be directed into positions avoiding draughts or away from obstacles etc.

Dimensions



Neutral Pressure

Aeroplus extracts the same volume of air as it supplies, and therefore does not create a negative pressure within the room. Aeroplus is ideally suited to the following applications:-

1. Bathrooms

An extract fan in a bathroom could create a negative pressure and eventually run in the 'stall position' (The fan will run but will not extract).

2. Kitchens with open flued appliances

An extract fan in a Kitchen could create a negative pressure and adversely affect the performance of open flued appliances

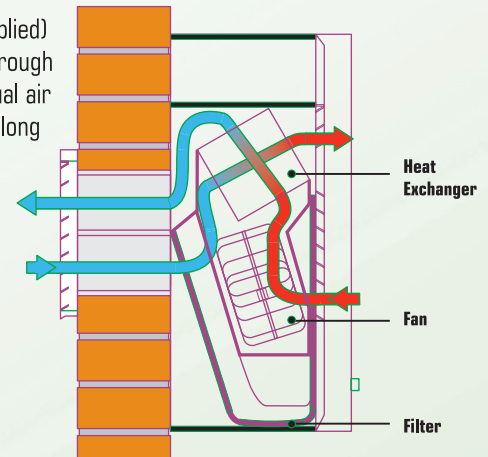
Low Voltage - Low Running Costs

Aeroplus operates on 12 volts via an integral transformer. The transformer can be sited remote from the unit for Bathroom installations. With a power consumption of 8-13 watts the unit has very low running costs.

Installation

Wall mounting (template supplied)
Supply air and exhaust air through 110 O.D. plastic pipe with dual air paths (pipe supplied 500mm long with louvred external grille)

For installations utilising an existing 102mm core drilled hole, a supply / exhaust pipe with reduced diameter is available.



Data

Airflow	: Low speed 15m ³ /h	High speed 32m ³ /h
Heat Recovery Rating	: Up to 60%	
Air De-humidification	: Removes approx 2.5 - 8kg of water in 24 hours	
Sound Level In Operation	: Low speed 30dB(A)	High speed 40dB(A)
Electrical Supply	: 230 volt input to transformer (Remote or integral mounting)	12 volt output to fan
Power Consumption	: Low speed 8 watt	High speed 13 watt
Controls	: On-off switch: manual override switch: automatic humidity sensor	

Additional Features

- Cable connection from top rear of appliance
- Bypass to prohibit condensation water in the ventilator
- Safety approved wiring
- Lacquered PVC housing